

Forth: Healthcare Lever Taps

Architects
Data File

Product Detail



Product: Forth
Code: TP1004

Issue: 2
Date: 29-10-2024

Product description:

Chrome pillar taps suited to healthcare installations with 170mm levers.

Product: Forth
Code: TP1004

Technical Detail:

Finish:	Polished	Body:	Brass
Tap Hole:	30mm Dia	Back Nut:	Brass
Connections:	½"		
Mounting:	Deck		
Feed:	Single		
Approval:	WRAS		
Operating Pressure:	Min 0.1 bar Max 5 Bar		

Minimum Operating Pressure (bar)	Maximum Cold Working Pressure (bar)	Maximum Hot Working Pressure (bar)
0.1 bar	10.0 bar at temperatures up to 85oC	Not Suitable for Maximum Hot Working Pressure

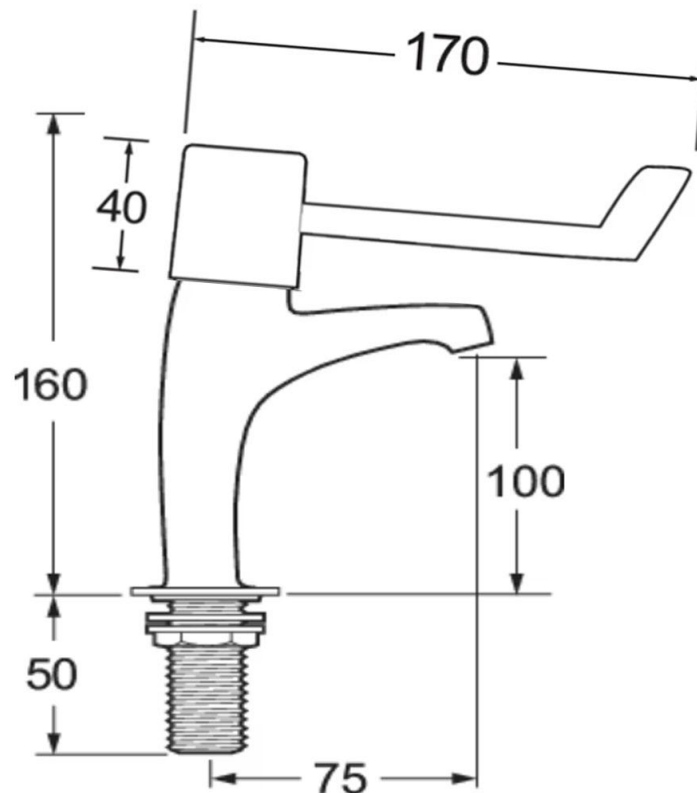
Technical Detail:

Flow (Bar - l/min, open outlet)

Spout

Flow 0.1	Flow 0.3	Flow 0.5	Flow 1.0	Flow 2.0	Flow 3.0	Flow 4.0	Flow 5.0
4.7	7.4	10	14.4	20.5	25	29.1	32.5

Care Of Your Product



Care

To maintain the surface finish, simply wipe occasionally with a mild detergent on a soft damp cloth. Dry, using a soft cloth. Never use abrasive cleaners or chemical household cleaners and avoid contact with concentrated bleach.

Maintenance

No regular maintenance is required for this product. In case of complete replacement Pegler recommend service valves should be fitted to the supply inlets.