

Dee: Wall Mounted Bib Taps

Architects
Data File

Product Detail

Product: Dee
Code: TP1005

Product description:

Wall mounted bib taps suited to healthcare installations. 225mm extension from wall mount to spout centre with 170mm levers. For hospitals and clinical areas.



Product: Dee
Code: TP1005

Technical Detail:

Finish:	Bright Polished	Body:	Brass
Fixing:	Wall Mounted	Back Nut:	Brass
Wras approved:	Yes		
Extension:	100mm		
Levers:	170mm		
Designed for:	Hospital and Clinical areas		
Inlet connections:	½ BSP		
Working pressure:	0.1-5.0 BAR		

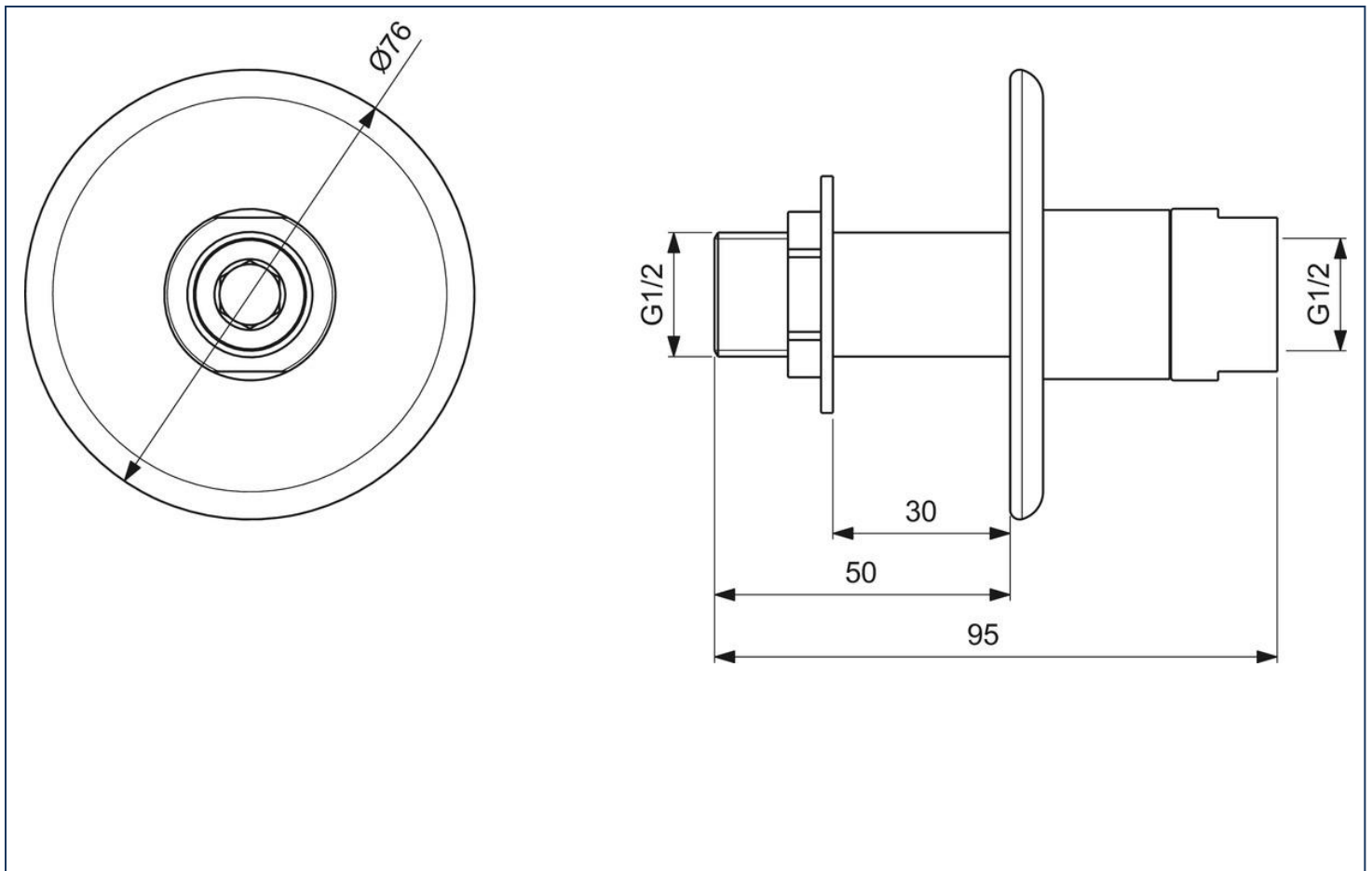
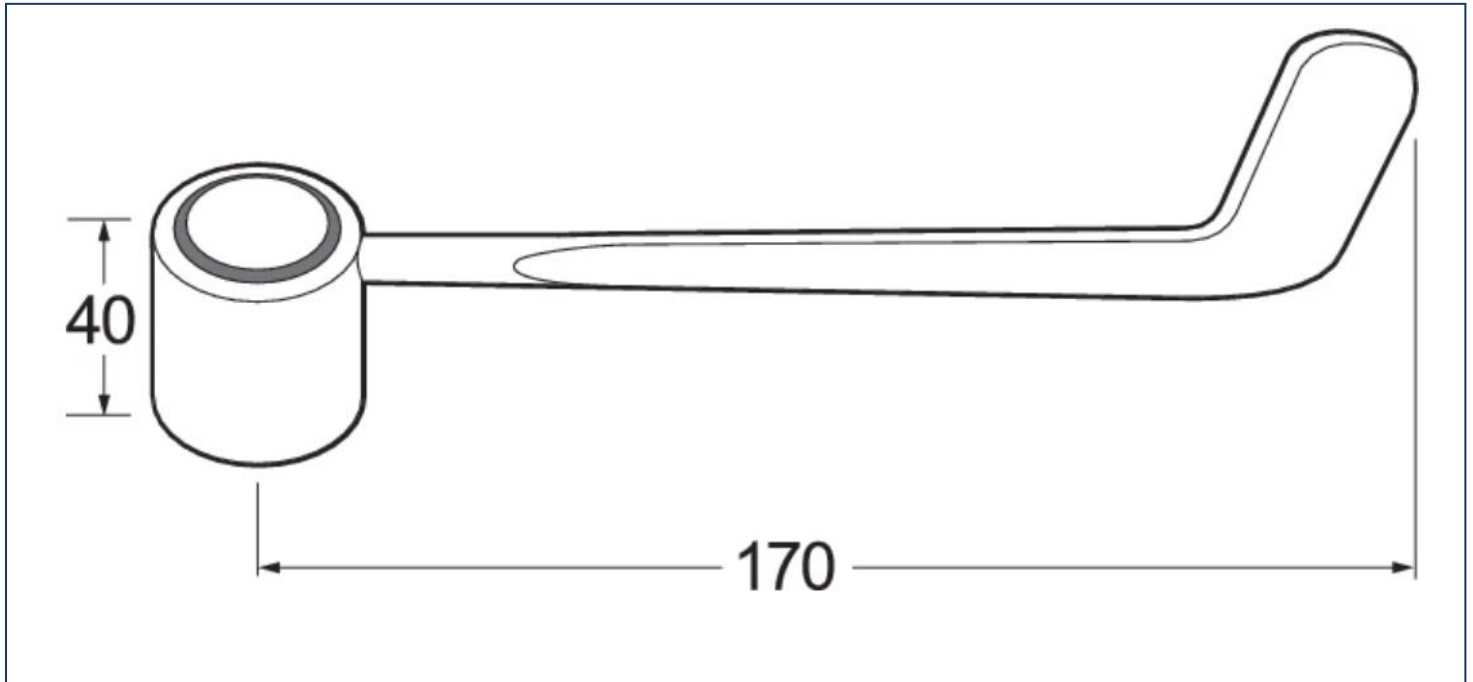
Flow (Bar - l/min, open outlet)

Spout

Flow 0.1	Flow 0.3	Flow 0.5	Flow 1.0	Flow 2.0	Flow 3.0	Flow 4.0	Flow 5.0
6.4	9.5	12.6	18	25.6	31.1	35.5	39.2

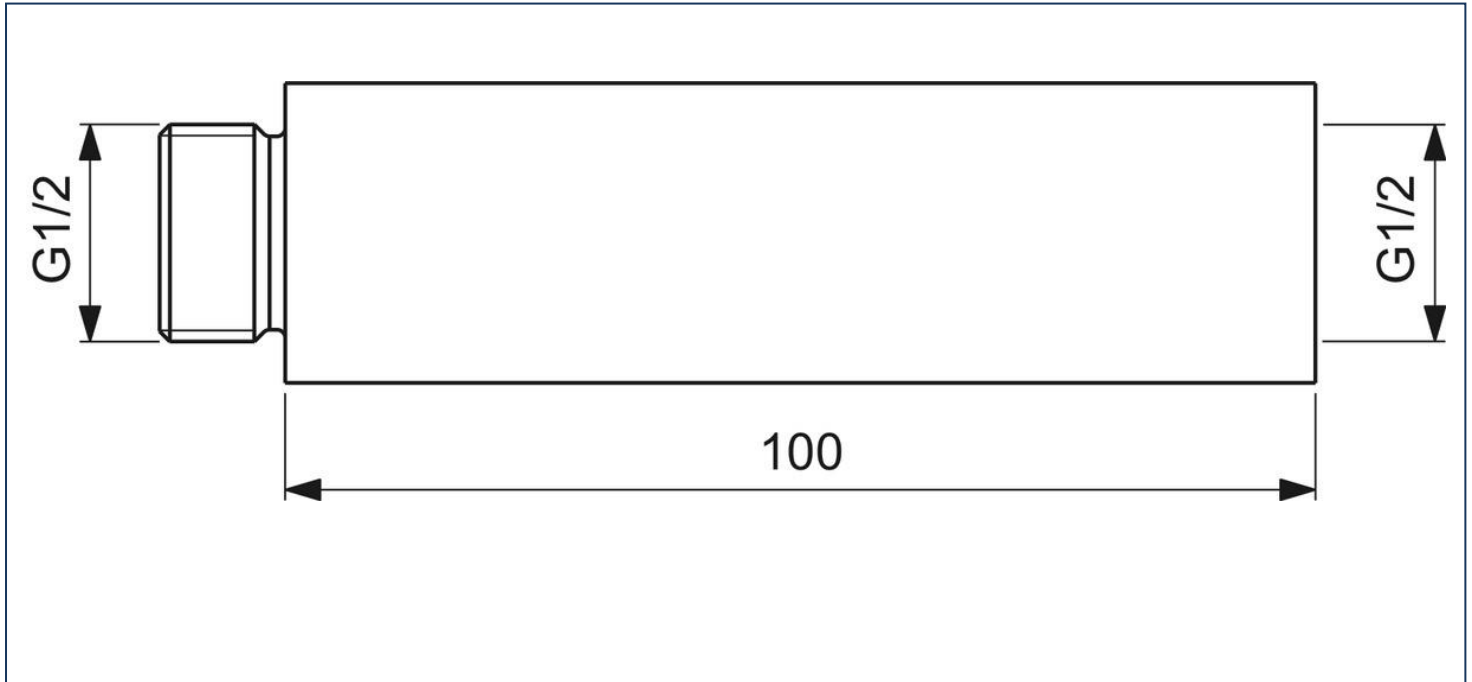
Dee: Wall Mounted Bib Taps

Further detail



Dee: Wall Mounted Bib Taps

Further detail



Dee: Wall Mounted Bib Taps

Care Of Your Product

Care

To maintain the surface finish, simply wipe occasionally with a mild detergent on a soft damp cloth. Dry, using a soft cloth. Never use abrasive cleaners or chemical household cleaners and avoid contact with concentrated bleach.

Maintenance

No regular maintenance is required for this product. In case of complete replacement Pegler recommend service valves should be fitted to the supply inlets.

DO PLEASE ENJOY YOUR NEW STAINLESS STEEL PRODUCT